

Assembly Instructions for: Hinged Storage Units with Wings



Warning: Choking Hazard
Assembly hardware contains
small parts. **Adult assembly required.**



Required Tools:
Medium Size
Phillips Screwdriver

Instructions: Unbox unit and find hardware bag inside of box.

For a single hinged unit such as picture C.

1 - Set units face to face as shown in illustration.

2 - If unit has hinges mounted on one side already simply screw in the 1/2" screws (6 screws per hinge) on other side as shown.

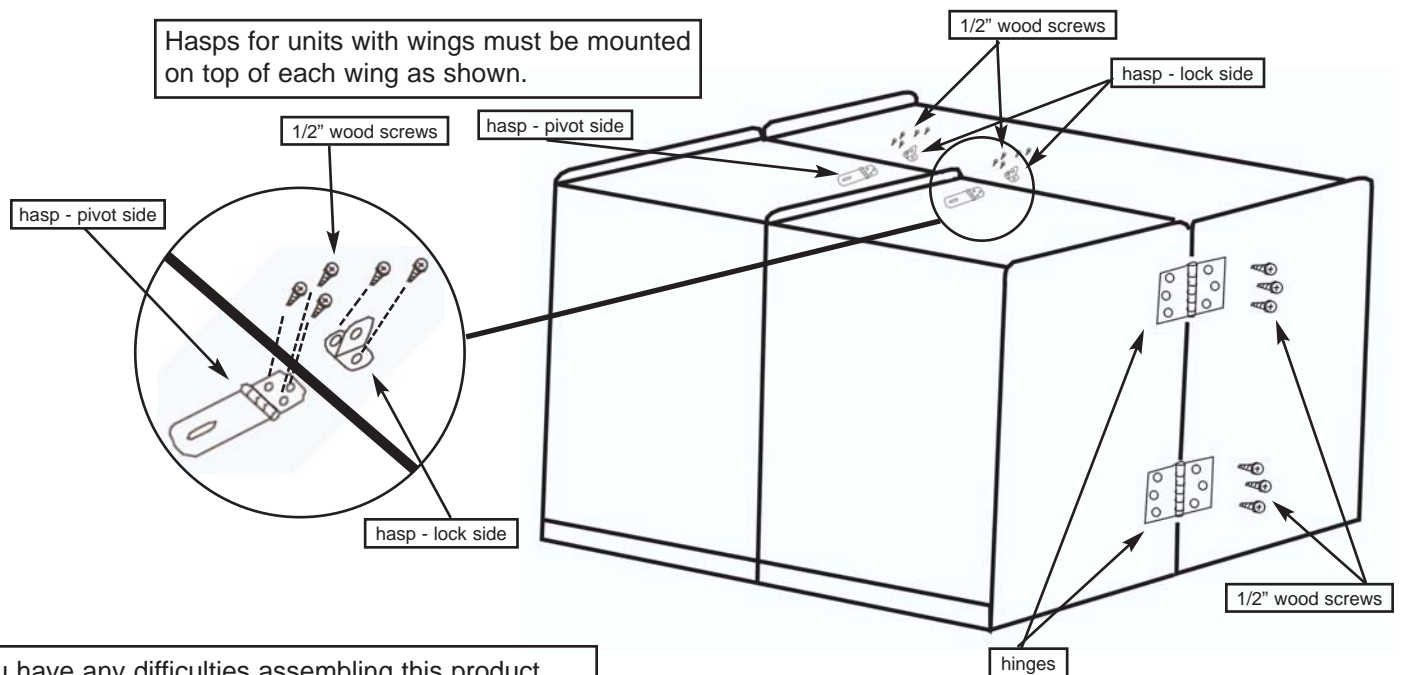
If hinges are not attached to one of the sides take hinge and mount hinge approximately 5 to 6 inches from top and bottom of unit as shown.

3 - Mount hasps on other top of wings as shown in illustration. (5 screws per hasp)

Fold unit together as shown. Attach the hasp pivot side as shown. Fold over the pivot side and place the lock part underneath and through the hasp.

Holding the lock part in place so it does not move, open the hasp and mark where the holes are for the mounting screws.

Screw the lock part of the hasp centered on the marks.



If you have any difficulties assembling this product,
please call Childs Play Customer relations at
(800) 447-8375 or email us at mail@childsplay1.com
Childs Play 131 Yorktown, Dallas, Tx. 75208
www.childsplay1.com