

# Assembly Instructions for: Sand and Water Tables - R600 R601 - R602 - R603



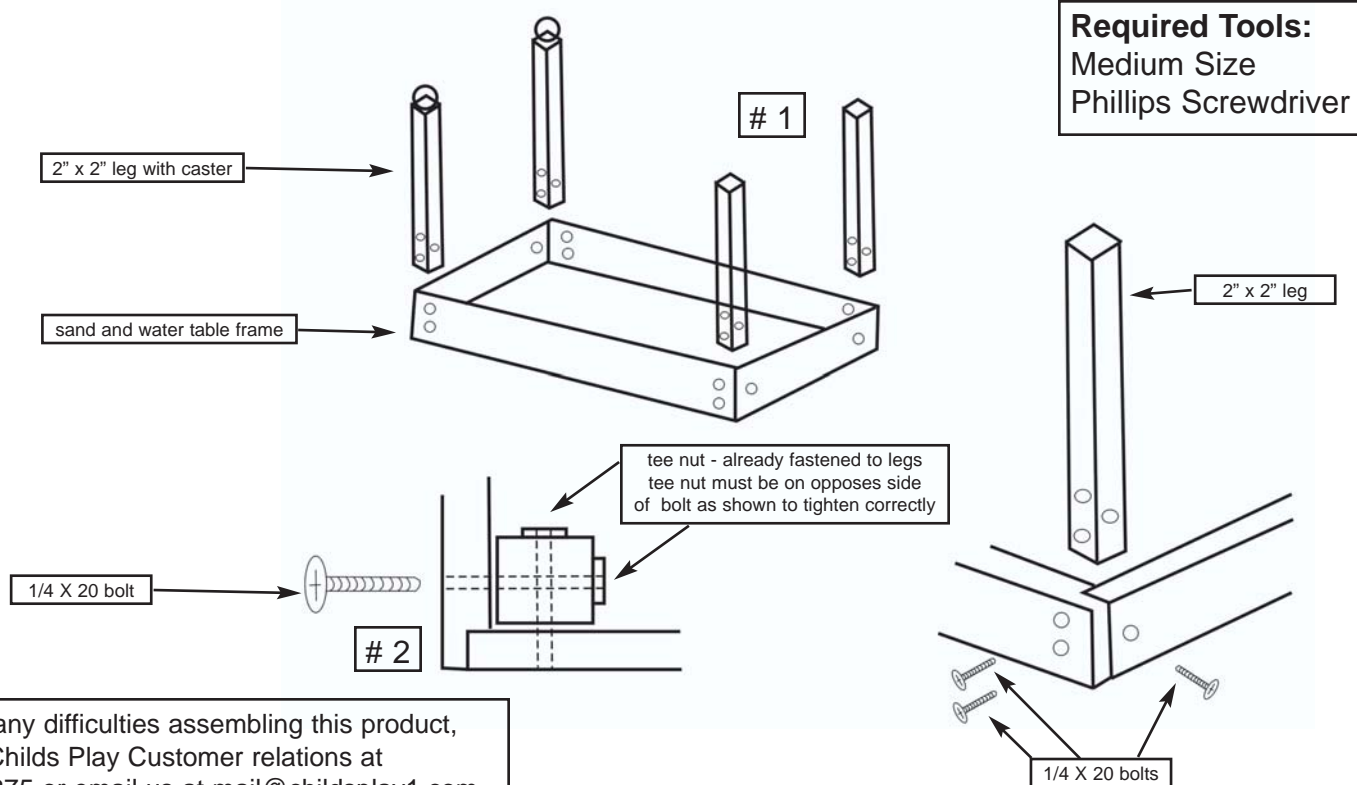
**Warning: Choking Hazard**  
Assembly hardware contains small parts. **Adult assembly required.**



Instructions: Unbox unit and find hardware bag inside of box.

- 1 - Take sand and water table liner out of the frame.
- 2 - Set frame upside down on floor or table #1.
- 3 - Bolt on the legs from the outside in. Making sure that the T Nut's on the legs are facing away from the frame. Note: the Tee Nut's must not be between the frame and the leg. See illustration #2 .
- 4 - Make sure legs with casters and legs without casters are on the same ends. See illustration #1 .
- 5 - Fasten legs on securely and then turn unit upright.
- 6 - Place liner back into frame.

**Note: It is best to place Sand and Water Tables in place before adding sand or water.  
Please remove sand or water before moving table.**



**Required Tools:**  
Medium Size  
Phillips Screwdriver

If you have any difficulties assembling this product,  
please call Childs Play Customer relations at  
(800) 447-8375 or email us at [mail@childsplay1.com](mailto:mail@childsplay1.com)  
Childs Play 131 Yorktown, Dallas, Tx. 75208  
[www.childsplay1.com](http://www.childsplay1.com)