

Assembly Instructions for: Mirrors - R0078 - R0079



Warning: Choking Hazard
Assembly hardware contains
small parts. **Adult assembly required.**



Instructions: Unbox unit and find hardware bag inside of box.

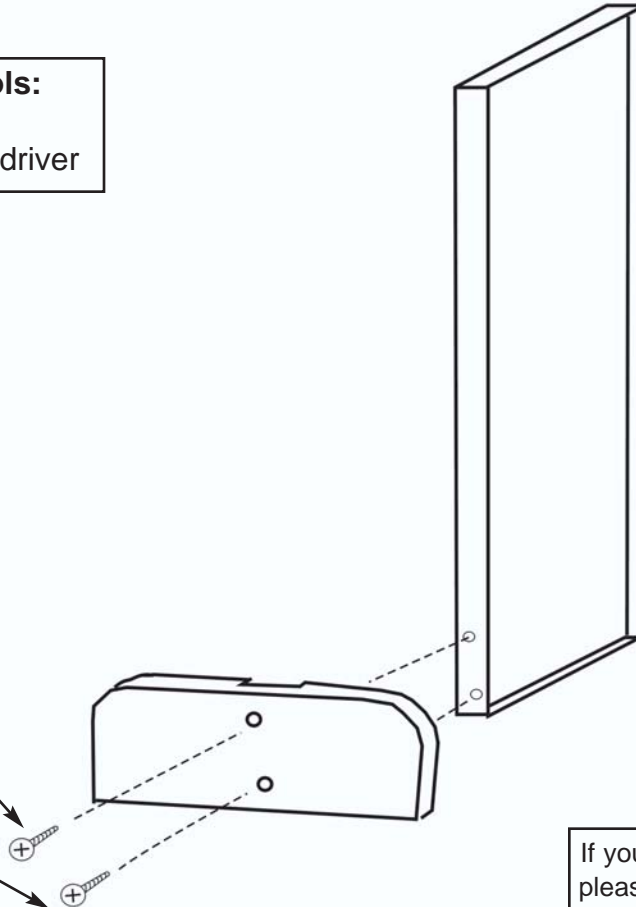
1 - Attach feet to mirror frame with screws provided as shown.

Note: Tilt mirror may need the side bolts tightened once in a while to make sure it stays in place.

Required Tools:

Medium Size
Phillips Screwdriver

1" washer head screws



If you have any difficulties assembling this product,
please call Childs Play Customer relations at
(800) 447-8375 or email us at mail@childsplay1.com
Childs Play 131 Yorktown, Dallas, Tx. 75208
www.childsplay1.com