


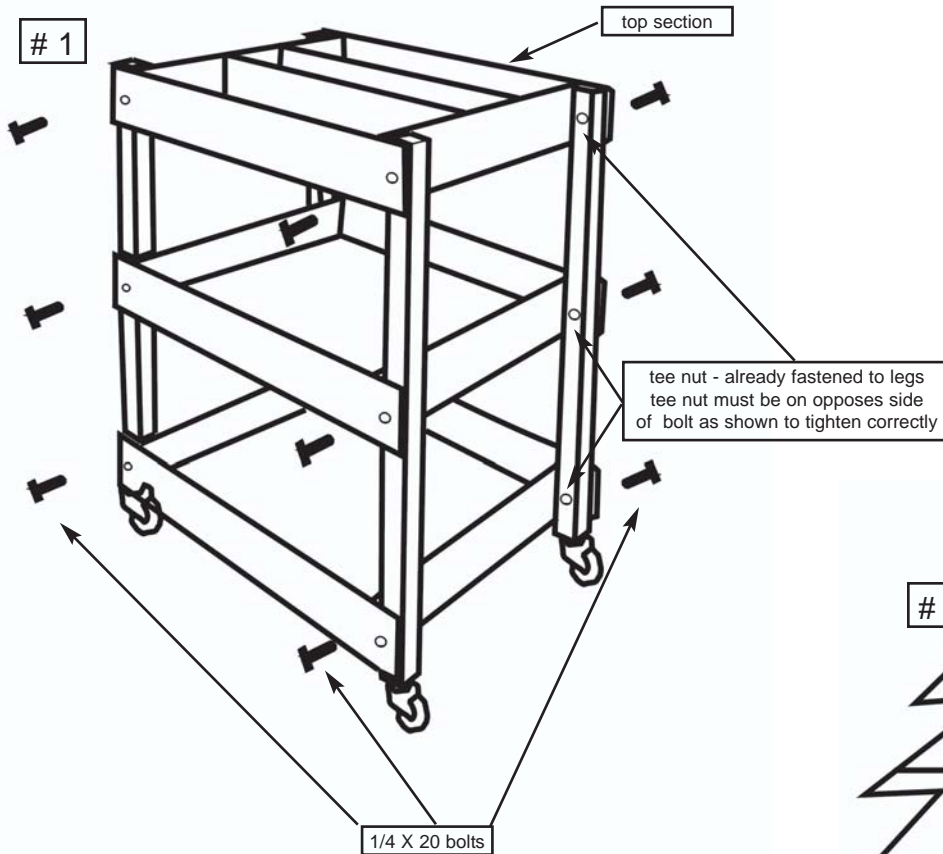
Assembly Instructions for: Art Cart - R0043



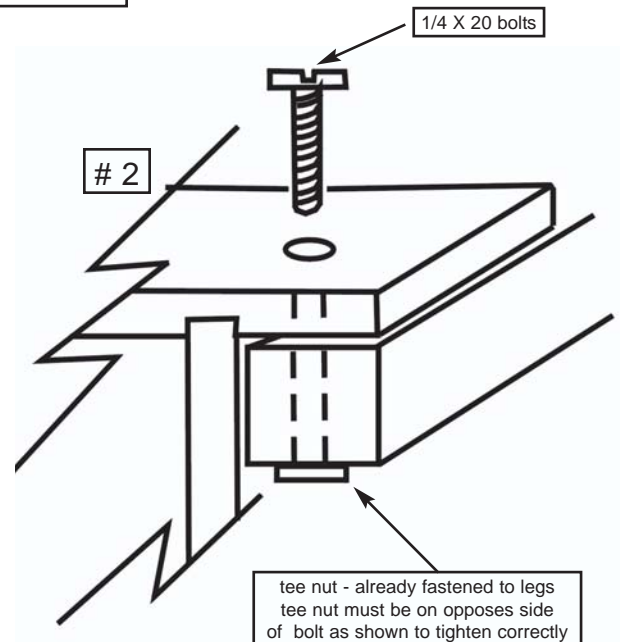
 **Warning:** Choking Hazard
Assembly hardware contains small parts. **Adult assembly required.**

Instructions: Unbox unit and find hardware bag inside of box.

- 1 - Bolt legs onto tray sections as shown #1. Make sure that the section with the dividers are at the top of the unit.
(Important: Tee nuts must be on opposite side of bolt as shown to tighten correctly #2)
- 2 - Tighten the bolts hand tight.
- 3 - Once all sections are bolted on. Place unit upright and tighten all bolts with a screw driver.



Required Tools:
Medium Size
Phillips Screwdriver



If you have any difficulties assembling this product, please call Childs Play Customer relations at (800) 447-8375 or email us at mail@childsplay1.com
Childs Play 131 Yorktown, Dallas, Tx. 75208
www.childsplay1.com