


Assembly Instructions for: Art Centers - R0042 and R0353

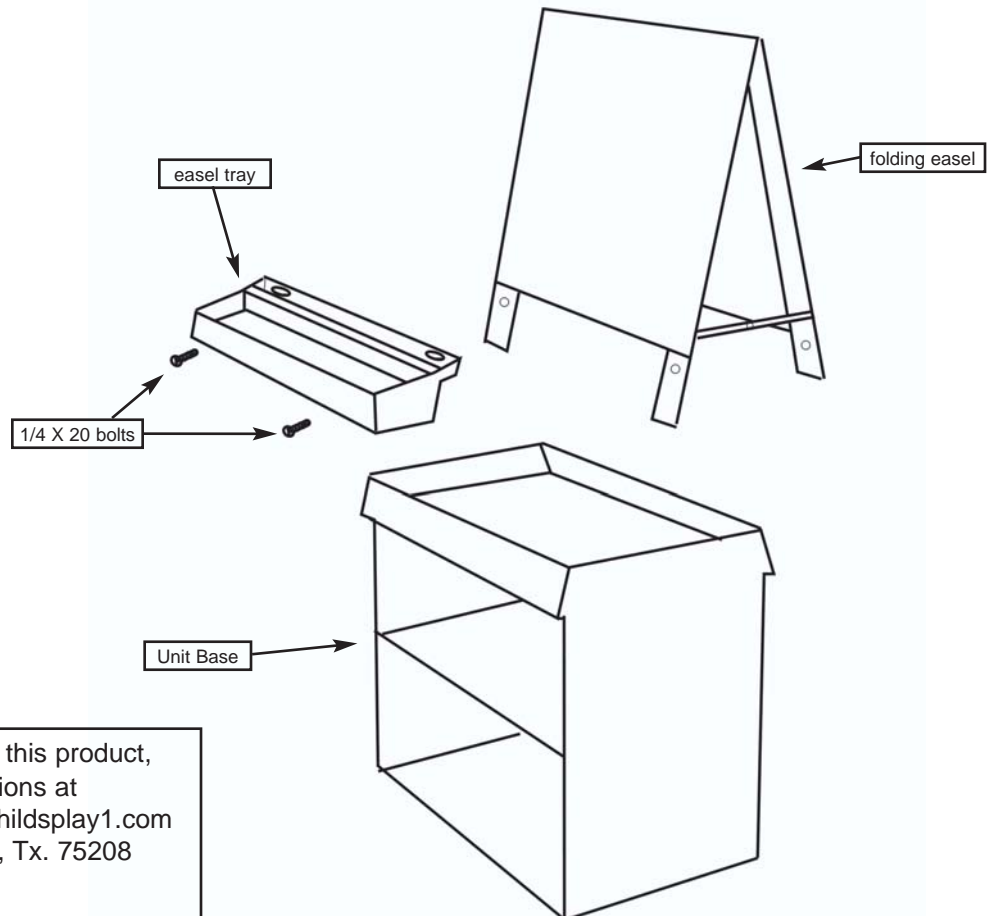
 **Warning:** Choking Hazard
Assembly hardware contains
small parts. **Adult assembly required.**



Instructions: Unbox unit and find hardware bag inside of box.

- 1 - Take out base unit and set on floor.
- 2 - Attach paint trays as shown with bolts.
- 3 - Put easel section on base unit and then open up to set in place. Make sure the easel supports on both side are pushed down to hold the easel section in place.
Repeat for Art Center for 4.
- 4 - Put paper clips on top.

Required Tools:
Medium Size
Phillips Screwdriver



If you have any difficulties assembling this product,
please call Childs Play Customer relations at
(800) 447-8375 or email us at mail@childsplay1.com
Childs Play 131 Yorktown, Dallas, Tx. 75208
www.chidsplay1.com